

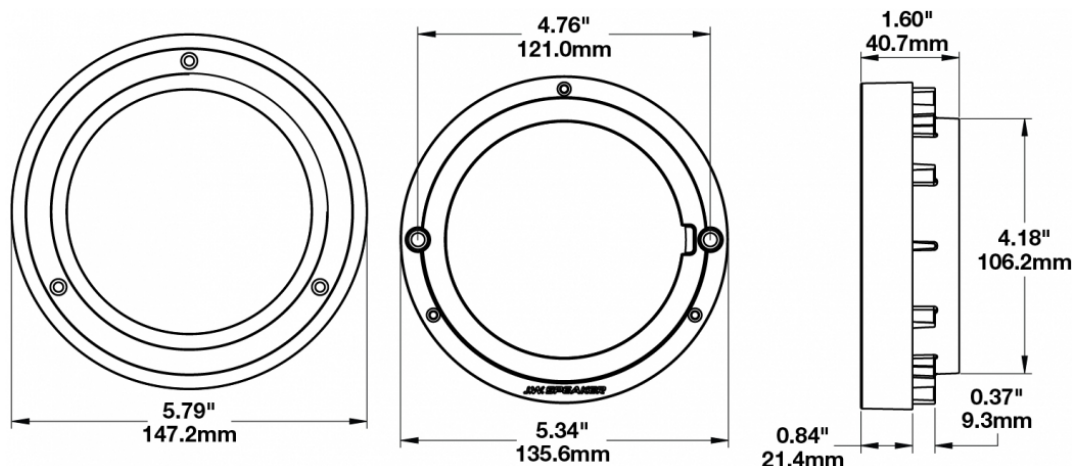
# Mounting Assembly Adapter Kit for Fog Lights Model 6045

## PRODUCT INFORMATION

<b>Description</b>	Mounting Assembly Adapter Kit for Fog Lights Model 6045
<b>Height</b>	101.60 mm / 4 in
<b>Width</b>	101.60 mm / 4 in
<b>Shape</b>	Round
<b>Bezel Color</b>	Chrome
<b>Shipping Weight</b>	1.30 lbs / 0.59 kgs



## PRODUCT DIMENSIONS



Print date: 2024-08-15

© 2024 J.W. Speaker Corporation • Germantown, WI U.S.A.  
www.jwspeaker.com • speaker@jwspeaker.com • 262.251.6660

# Mounting Assembly Adapter Kit for Fog Lights Model 6045

## REGULATORY STANDARDS COMPLIANCE

---



Buy America Standards

Eco Friendly

## APPLICATIONS

---



## ADDITIONAL INFORMATION

---

Mounting Assmebly includes:

- (2) Chrome bezels
- (6) #6 flat head stainless sheet metal screws
- (2) Adapter brackets
- (4) M5 socket head cap screws
- (8) M5 locknuts
- (4) 5mm washers
- (1) Instruction sheet

Note: This kit does not come with fog lamps - only the Mounting Assembly.

## PRODUCT WARNINGS

---

For California residents:

⚠️ **WARNING:** Cancer and reproductive harm - [www.P65Warnings.ca.gov](http://www.P65Warnings.ca.gov).

⚠️ **AVERTISSEMENT:** Cancer et effet nocif sur la reproduction - [www.P65Warnings.ca.gov](http://www.P65Warnings.ca.gov).

---

Print date: 2024-08-15

© 2024 J.W. Speaker Corporation • Germantown, WI U.S.A.  
[www.jwspeaker.com](http://www.jwspeaker.com) • [speaker@jwspeaker.com](mailto:speaker@jwspeaker.com) • 262.251.6660

**J.W. SPEAKER**   
Engineered. Lighting. Solutions.

# Mounting Assembly Adapter Kit for Fog Lights Model 6045

SUITS THESE PRODUCTS

---



## **4" Round LED Fog Lights**

LED Fog Lights - Model  
6045

---

**Print date: 2024-08-15**

© 2024 J.W. Speaker Corporation • Germantown, WI U.S.A.  
www.jwspeaker.com • speaker@jwspeaker.com • 262.251.6660